



Powering Innovation



PROTECTION + AUTOMATION + CONTROL

# AUDIO VISUAL ANNUNCIATOR FOR TRANSFORMER JAU-TR1-1

**JVS ELECTRONICS PVT. LTD.**

#121, Manchanayakanahalli,  
Bangalore Mysore Highway, Bidadi,  
Ramanagara District - 562 109, Karnataka, India  
+91 94808 26272, +91 94808 26260  
bangalore@jvselectronics.in, www.jvselectronics.in

## FEATURES

- ♦ Visual indication with audio output
- ♦ Compact size
- ♦ Priority level in identifying the faults

## APPLICATION

The solid state annunciator, type JAU provides an audible and visible annunciation when the fault is present in the system.

## TECHNICAL DATA RATINGS

Aux. Supply	:	30 V DC, 220 V AC
Supply Variation	:	85% to 110% of rated supply
Sound level	:	Above 90dB at 1meter

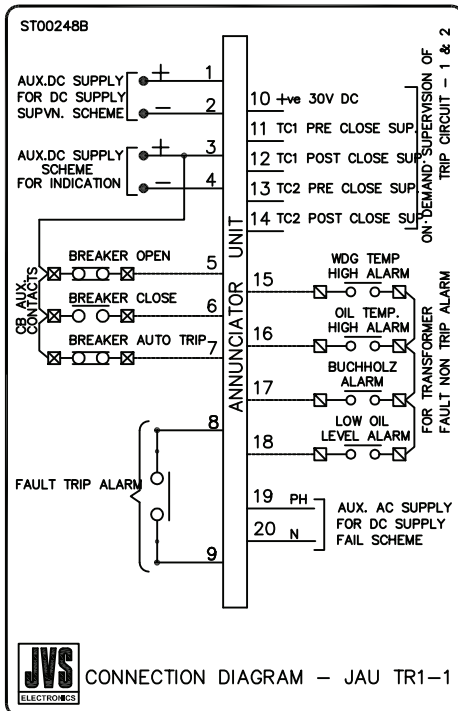
## BURDEN

Supply 30 V	:	Less than 3.0W
Supply 220V	:	Less than 3.0W

## MECHANICAL DESIGN

Weight	:	1000gms. (Approx)
Case Size	:	Fascia 144 mm x 144mm, Depth 160mm
Installation	:	Flush mounting
Panel cutout	:	138mm x 138mm

## TERMINAL DIAGRAM



## ORDERING INFORMATION

Rated voltage and rated aux. supply	:	To be specified by the customer
Model No.	:	JAU TR-1 AC fail annunciation module