



Powering Innovation



PROTECTION + AUTOMATION + CONTROL

**THREE POLE, NON-DIRECTIONAL,
30/C RELAY WITH INST. HIGHSET
JRC 966**

JVS ELECTRONICS PVT. LTD.

#121, Manchanayakanahalli,
Bangalore Mysore Highway, Bidadi,
Ramanagara District - 562 109, Karnataka, India
+91 94808 26272, +91 94808 26260
bangalore@jvselectronics.in, www.jvselectronics.in

FEATURES

- ◆ Software based design
- ◆ DIP switch settings
- ◆ Choice of four curves
- ◆ Instantaneous high set
- ◆ Very low burden

APPLICATION

Time graded protection of generators, Transformers, capacitors etc



TECHNICAL DATA

RATING

Current rating (In)	: 1A or 5A
Auxiliary Supply	: 20 to 60V DC or 80 to 260V AC/DC

CURRENT SETTING (INVERSE TIME)

Over current (1>)	: 50 to 200% in steps of 10%
Instantaneous high set	: 2 to 16 times 1> set value

OPERATING CHARACTERISTICS

Inverse time Characteristics	: 3s Normal inverse 1.3s Normal inverse 1.5s Very inverse 0.8/0.6s Extremely inverse
Time multiplier setting (TMS)	: 0.01 to 1.6 in two ranges 1st range: 0.01 to 0.32 in steps of 0.01 2nd range: 0.05 to 1.6 in steps of 0.05

ACCURACY

Operating value	: 105 to 120% of set current
Resetting value	: 80 to 97% of the pickup value
High set operating value	: $\pm 5\%$
Inverse operating time	: $\pm 5\%$ or $\pm 30\text{ms}$ (which ever is higher)
High set operating time	: $< 40\text{ms}$ @ 2 times the set current
Reset time	: 200 to 250ms
Over shoot time	: Less than 100ms

BURDEN

Auxiliary circuit	: 3W (Non-operated) 6W (Operated)
Current input circuit	: 1A-0.05 VA (max) at rated current 5A- 0.2 VA (max) at rated current

OUTPUT CONTACTS

For JRC 966	: 2N/O contacts
-------------	-----------------

CONTACT RATINGS

For JRC 966	: 5A at 24V DC/230V AC
-------------	------------------------

OVER LOAD RATINGS

Current input	: 2 times the rated continuously 20 times the rated for 3s
---------------	---

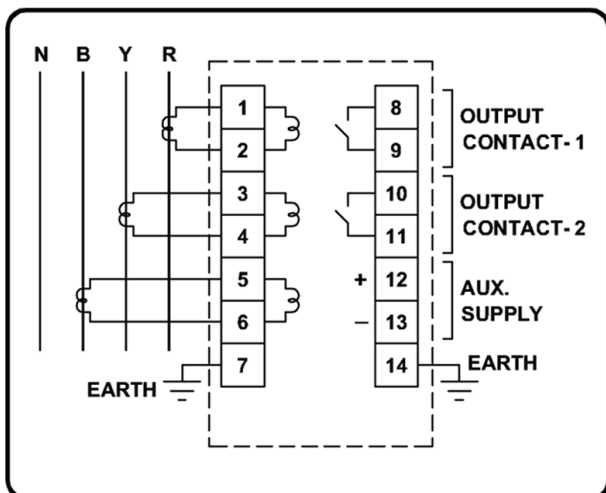
MECHANICAL DESIGN

Weight	: 550gms approx.
Case size	: 96sqmm, Depth 105mm
Installation	: Flush mounting
Panel cutout	: 92mm x 92mm

STANDARD COMPLIANCE

Accuracy test	: IEC 60255-3
Insulation test	: IEC 60255-5
1 MHz HFD test	: IEC 60255-22-1

TERMINAL DIAGRAM



ORDERING INFORMATION

Current rating	:	1A or 5A
Curve selection	:	0.8 or 0.6s Extremely inverse
Relay type	:	JRC 966 - 3 Pole IDMT With High set
Auxiliary Supply	:	20 to 60V DC or 80 to 260V AC/DC