



Powering Innovation



PROTECTION + AUTOMATION + CONTROL

TEST TERMINAL BLOCK JTTB

JVS ELECTRONICS PVT. LTD.

#121, Manchanayakanahalli,
Bangalore Mysore Highway, Bidadi,
Ramanagara District - 562 109, Karnataka, India
+91 94808 26272, +91 94808 26260
bangalore@jvselectronics.in, www.jvselectronics.in

FEATURES

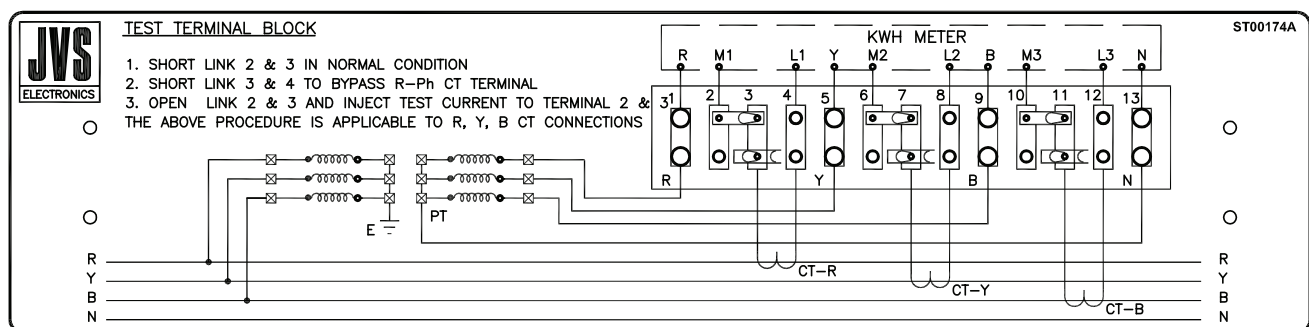
- ◆ Housing made out of non-inflammable & non-higroscopic
- Phenolic compound.
- Phosphor Bronze link holder
- High grade electrically conductive brass parts
- Very low contact resistance
- Meets specification B/S/3703 part-I



APPLICATION

JVS make Test Terminal Blocks are used for meter calibration.

TERMINAL DIAGRAM



ORDERING INFORMATION

Type No. : JTTB
Voltage Rating : 1100V AC, 50A